

1/4" Seam Foot (without guide)



Part No. 202-529-002

The 1/4" Seam Foot with no guide plate attached is a very useful tool for various types of piecing work.

As with the 1/4" seam foot, you can sew the 1/4" position by aligning the cloth with the edge of the presser foot. Fabric can be fed stably using the wide area of the foot.

Made of metal, the foot is durable and strong.

Point 1 No guide plate

You can sew smoothly without the guide plate getting caught at the part where the seam allowance of the piecing overlaps.

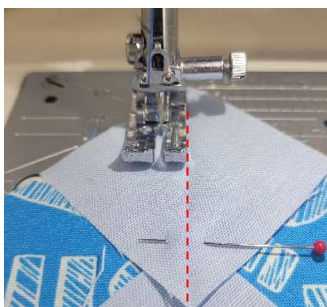
Smoothly sew the overlapping seam, allowance parts.



Seam allowance can get caught in guide plate.

Point 2 1/4" guide and markings

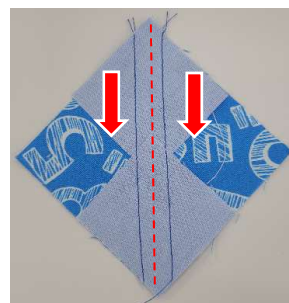
The foot has a 1/4" guide and markings at each point from the needle drop position as shown on the right-hand side. These markings are very helpful for a 1/4" seam allowance.



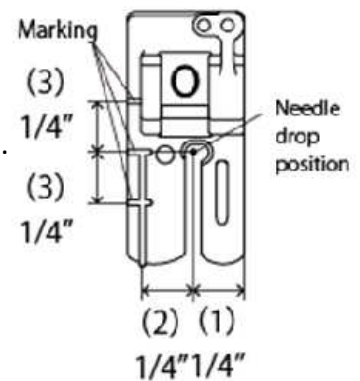
Align the edge of the foot with the mark and sew. (1)



Match the 1/4" guideline with the mark and sew. As the guideline is raised, it is easy to align with the mark. (2)



As you can sew from the same direction, the fabric stays flatter



You can measure 1/4" accurately without using a washable marker. These are good for fine piecing like Lemoyne Star. (3)

Because you can sew two lines from the same direction using the guide, the fabric stays flat and good results can be achieved every time. Good for Flying Geese or Half Square Triangle Piecing!