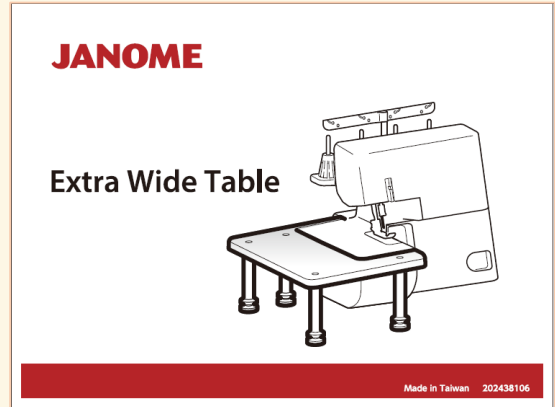
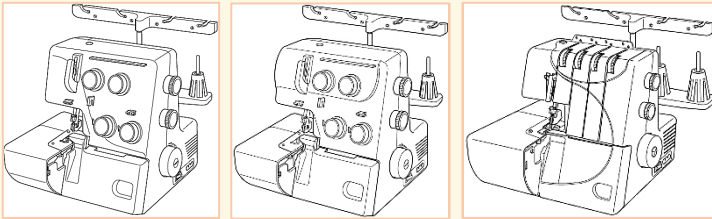




Extra Wide Table

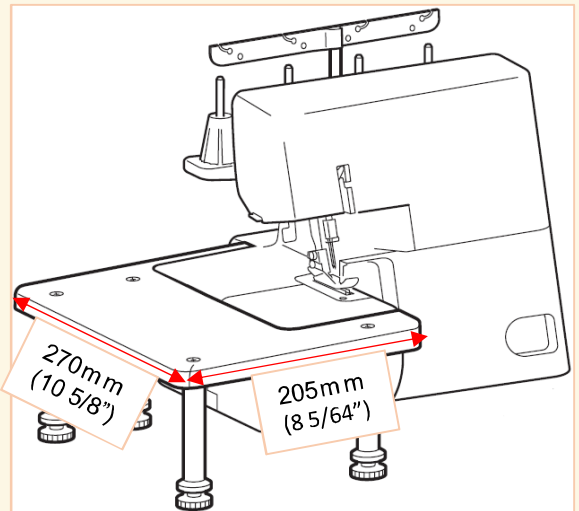
The “Extra Wide Table” is an optional item for production model no. 792 or 793 sergers. (Cannot be used with other sergers.) JANOME logo printed on the surface.

Part No. : **202-438-106**
Extra Wide Table



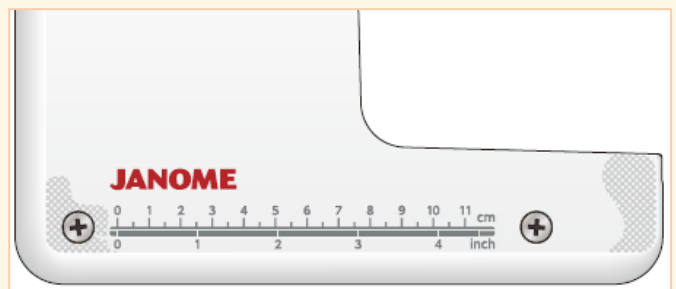
Point 1 Expanded work surface

By providing a larger surface area, the table is good for bulky work like costumes, preventing them from pulling on their own weight and leading to good sewing results.



Point 2 Useful scale

The length of the scale is 11cm or 4 inches. Very useful for quick measurement!



Point 3 Easily adjustable height

Fine tune the table height to make the top flatter by turning the adjusting screws at the bottom of the feet.

